



THE BEST PROTECTION
FOR YOUR VITAL
DATA MEDIA **NOW**
WITH EXTRA CAPACITY



DATAPLUS+

FIRE-RESISTANT DATA MEDIA PROTECTION



KEY FEATURES

- Easy slam action emergency closing in event of a fire.
- Generous capacity.
- High-quality media protection.
- Two-hour data media protection label. Tested to the highest international standards, UL 72 and EN 1047-1. EN Norm is certified by ECB•S in class S 120 DIS for fire resistance.
- Burglary protection in accordance with European norm EN 14450 and certified by ECB•S in security class S2.
- Easy to transport and install.
- Low weight ratio due to new advanced fire protection barrier material.
- Ability to customise by using internal fittings to optimise your storage capacity.
- Ability to base fix to the floor for effective prevention of physical removal.
- Removable front plate allows usage of a pallet loader for more efficient installation, reducing costs to the customer.
- The cabinet is fitted with a key lock as standard. However, you may require the monitoring of access to your sensitive data and therefore we have a series of electronic locks ranging from basic locking to more sophisticated audit trails.
- The cabinet is an attractive light grey which fits in well in most office interiors.

CAPACITY CHART

Media designation	Size f (mm) Dimension g (mm)	Media per Shelf Sz. 1–4	Media per Shelf Sz. 5	Storage
DLT tapes	110×112×30	48	94	F + S
LTO tapes	110×112×30	48	94	F + S
DDs 4 mm (DC 4)	80×58×16	124	239	F + S
DDs 8 mm (DC 8)	102×68×20	79	148	F + S
Dat cassettes	80×60×15	134	260	F + S
Data cartridges 3.5"	96×100×12	144	274	F + S
Data cartridges 5.25"	141×159×17	69	130	F
AIT data cartridge (Sony)	67×112×21	108	216	F + S
Travan data cartridge (Sony)	78×100×19	100	212	F
On stream ADR (Verbatim)	129×95×15	89	162	F + S
SLR / MLR 5.25" (Imation)	116×161×21	54	126	F + S
PD Cartridge (Fuji)	135×124×8	153	227	F + S
IBM 3480 / 3490	127×110×25	51	99	F + S
CD / DVD (R, RW and RAM)	142×124×10	117	225	F
Diskette 3.5" (floppy disc)	94×90×3,0	596	1124	F + S
Optical disc 3.5"	94×90×6	296	560	F + S
Optical Disc 5.25"	135×153×11	112	214	F + S
ZIP disc media	103×104×12	135	256	F + S
MO - R/W (magneto-optical disc)	157×143×16	62	122	F + S

FIRE TESTING

The data media cabinet DataPlus+ is tested and certified by ECB+S according to the European standard EN 1047-1 in class S 120 DIS for two hour's fire protection. The test is carried out in two parts.



FIRE TEST

STAGE 1

The cabinet is placed inside the furnace which is heated to a temperature of over 1000 °C.



IMPACT TEST

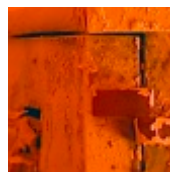
STAGE 1

The cabinet is placed in a pre-heated oven for up to 45 minutes. Then the cabinet is removed and dropped 9.15 metres onto a bed of rubble.



STAGE 2

After 120 minutes in the furnace the burners are switched off. The inner temperature and humidity in the cabinet are continually monitored until the cabinet begins to cool. The cabinet remains in the furnace as the temperature returns to zero, then the cabinet is removed and opened. The maximum internal temperature inside the cabinet must not exceed 52 °C.



STAGE 2

The cabinet is then placed back into the furnace for up to another 45 minutes. As it cools inside the furnace, the cabinet's temperature is monitored before being removed and opened. The maximum internal temperature must not exceed 52 °C.

CONSEQUENCES OF A FIRE

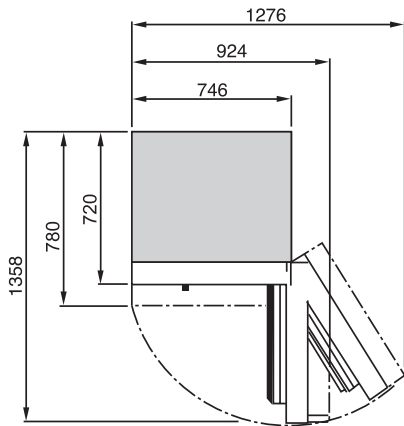
The picture illustrates the devastation caused by a fire. Imagine what would be left of your vital data media if it were not stored in a Chubb safes cabinet.

CAPACITY CHART

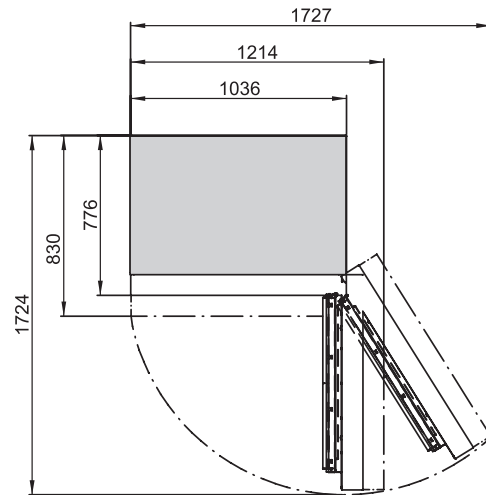
Sz. 1 No. of shelves	Sz. 1 Total capacity	Sz. 2 No. of shelves	Sz. 2 Total capacity	Sz. 3 No. of shelves	Sz. 3 Total capacity	Sz. 4 No. of shelves	Sz. 4 Total capacity	Sz. 5 No. of shelves	Sz. 5 Total capacity
4	192	7	336	9	432	13	624	13	1222
4	192	7	336	9	432	13	624	13	1222
8	992	12	1488	16	1984	22	2728	22	5258
7	553	10	790	14	1106	19	1501	19	2812
8	1072	12	1608	16	2144	22	2948	22	5720
5	720	7	1008	10	1440	14	2016	14	3836
3	207	4	276	6	414	9	621	9	1170
4	432	7	756	9	972	13	1404	13	2808
5	500	7	700	10	1000	14	1400	14	2968
5	445	7	623	10	890	14	1246	14	2268
3	162	4	216	6	324	9	486	9	1134
4	612	6	918	8	1224	12	1836	12	2724
4	204	7	357	9	459	13	663	13	1287
4	468	6	702	8	936	12	1404	12	2700
5	2980	8	4768	11	6556	15	8940	15	16860
5	1480	8	2368	11	3256	15	4440	15	8400
3	336	5	560	6	672	9	1008	9	1926
5	675	7	945	10	1350	14	1890	14	3584
3	186	5	310	7	434	10	620	10	1220

INSTALLATION GUIDE

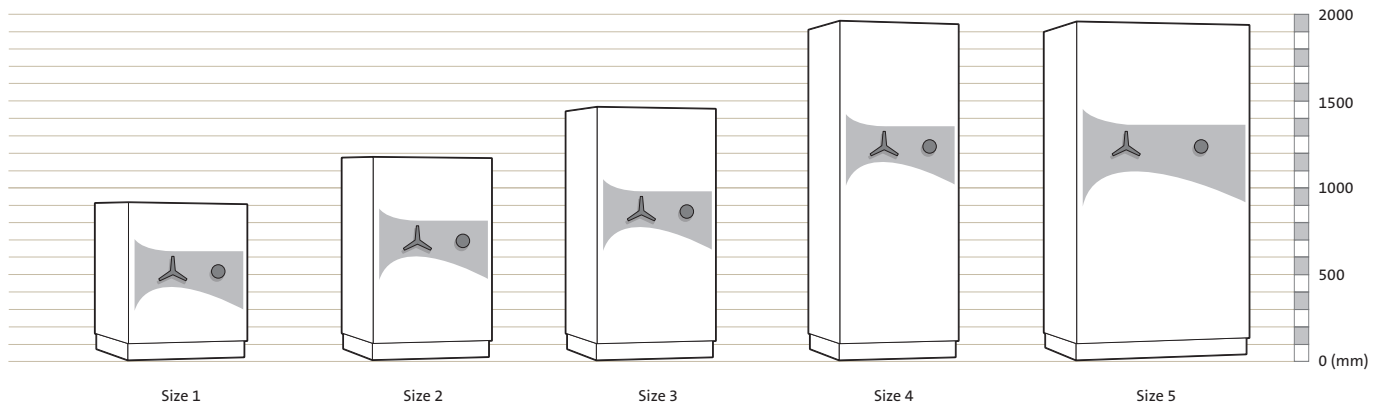
Size 1-4



Size 5

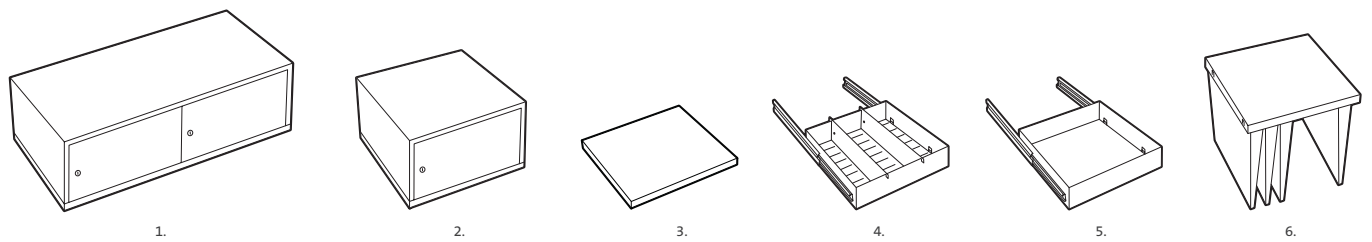


PRODUCT SPECIFICATIONS



Model	External height (mm)	External width (mm)	External depth** (mm)	Internal height (mm)	Internal width (mm)	Internal depth (mm)	Volume (Litres)	Weight* (kg)
Size 1	911	746	780	565	490	400	111	315
Size 2	1191	746	780	845	490	400	167	390
Size 3	1471	746	780	1125	490	400	221	490
Size 4	1941	746	780	1595	490	400	313	640
Size 5	1941	1036	830	1570	780	450	556	860

* Weight refers to an empty cabinet. ** Gross measurement inc. 60mm for handle which can be removed for installation.



INTERNAL FITTINGS

1. Lockable cupboard (size 5)
2. Lockable cupboard
3. Adjustable shelf
4. Pull-out platform (with dividers)
5. Pull-out platform
6. Suspended pocket shelf

Authorised dealer

www.chubbsafes.com